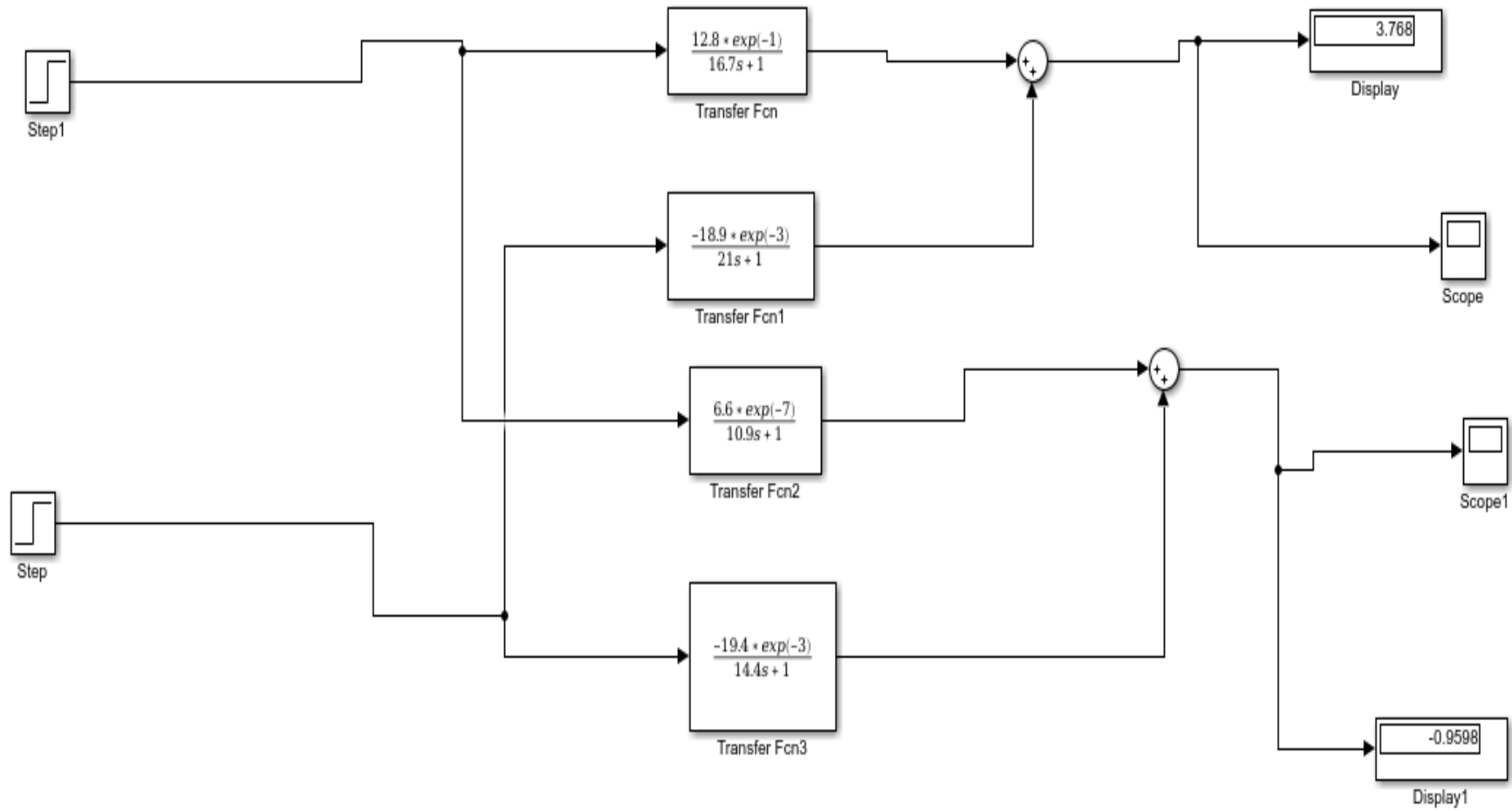
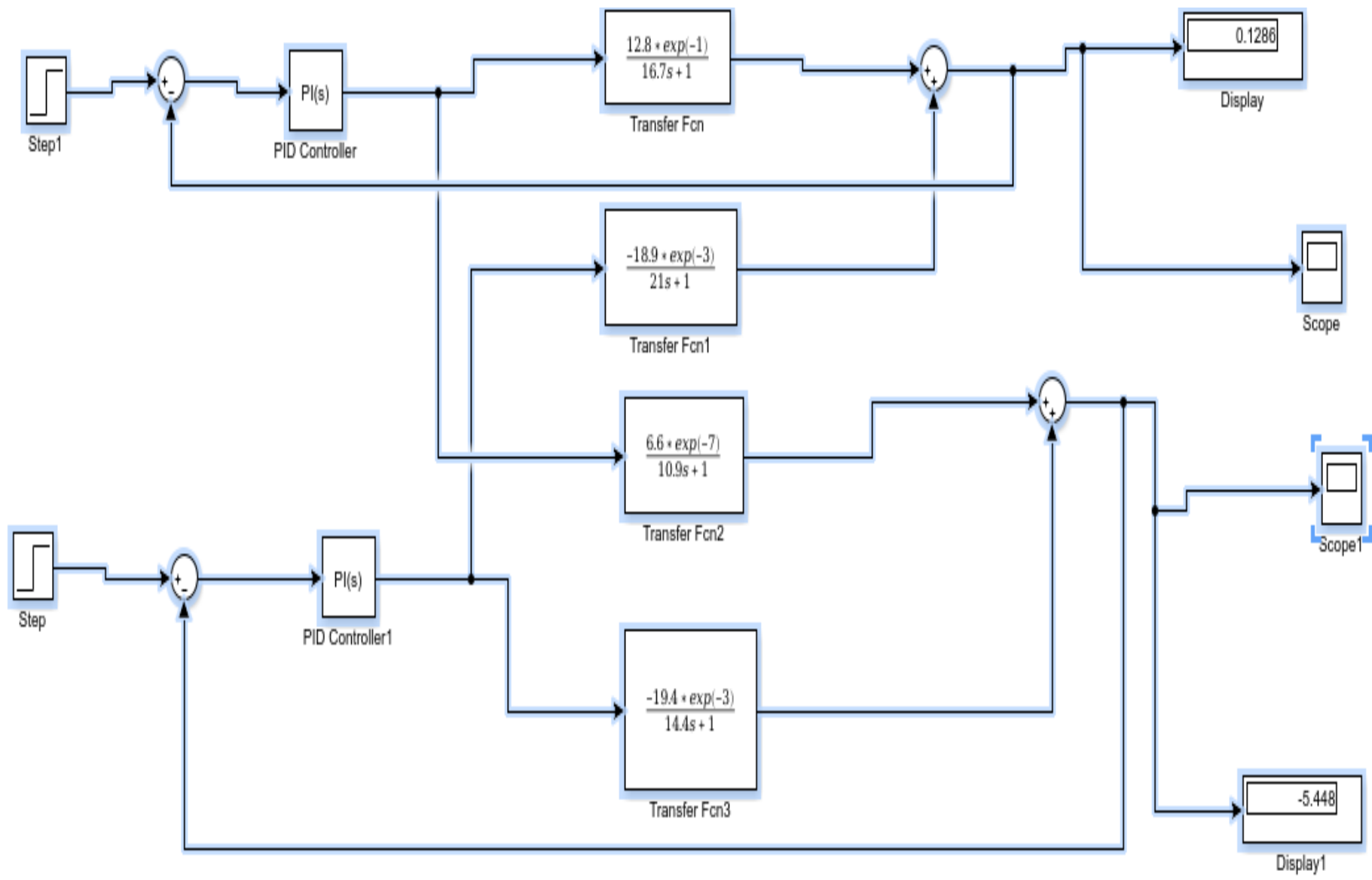


# OPEN LOOP





```
commandwindow  
clear  
clc  
close all
```

```
num = [];  
den = ;  
ebukamodel = tf (num,den)
```