

SOLOMON ICHECHUKWU FRANCIS

13/ENG01/010

CHE 531

ASSIGNMENT 5

MATLAB PROGRAM CODE

commandwindow

clear all

clc

format bank

s = tf('s')

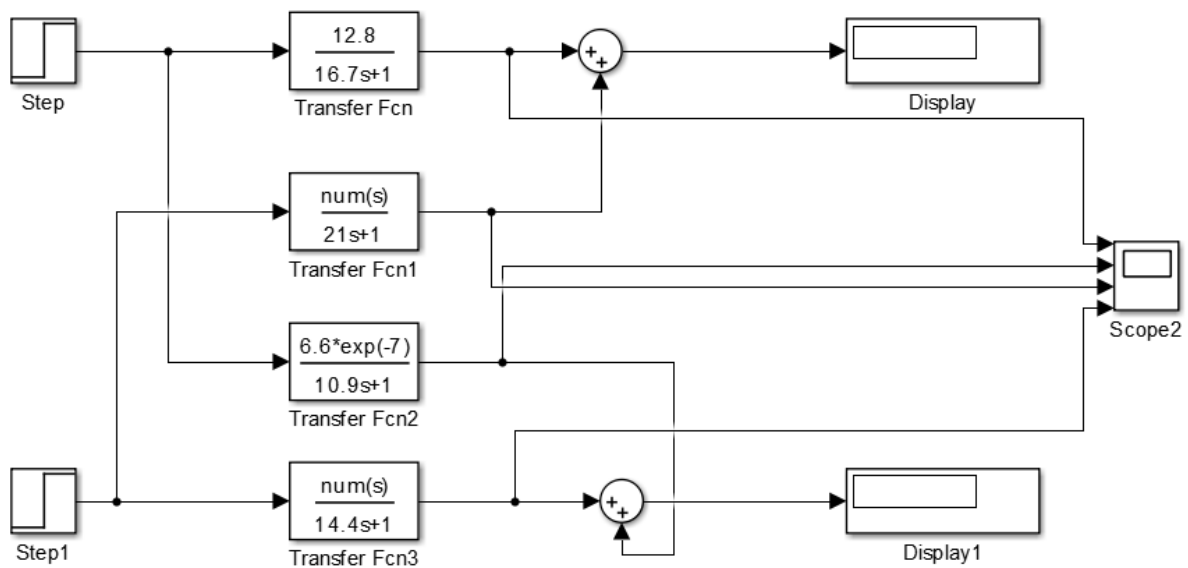
$G_p = 3 \cdot 0.5 \cdot (1/3) / ((s+1) \cdot (s+(1/2)) \cdot (s+(1/3)))$

$K_c = [0:0.0001:3]$

rlocus(Gp,Kc);

[Ps,Kc] = rlocus(Gp,Kc);

[Kc', Ps']



OPEN LOOP SYSTEM FOR 4 RESULTS ON ONE GRAPH