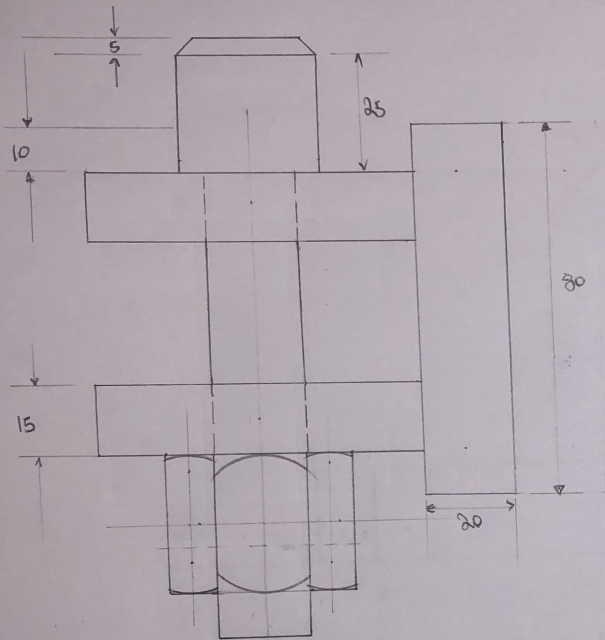


PART LIST

S/N	NAME	Quantity	DIMENSION
①	Spindle	1	5 x 450
②	NUTS	1	600 x ϕ 25
③	housing Bracket	1	140 x 80 ϕ 40 BOTH Ends

SIDE VIEW IN SECTION WITH THE SPINDLE, ITS NUT AND WASHER INCLUDED

NAME	ADETORO MAYOWA
MAT NO	18/ENGO41005
DEPT	ELECT ELECT
TOPIC	ASSEMBLY DRAWING
DATE	19TH MAY, 2020



FRONT VIEW

NAME	ADETOROMAYOWA
MAT NO	18/ENGO4/005
DEPT	ELECT/ELECT
TOPIC	ASSEMBLY DRAWING
DATE	19TH MAY, 2020

ΧΟΕΤΟΡΟ ΜΑΥΟΛΑ ΣΟΛΑ
18/ΕΔ604/005
Elect / Elect

Q

