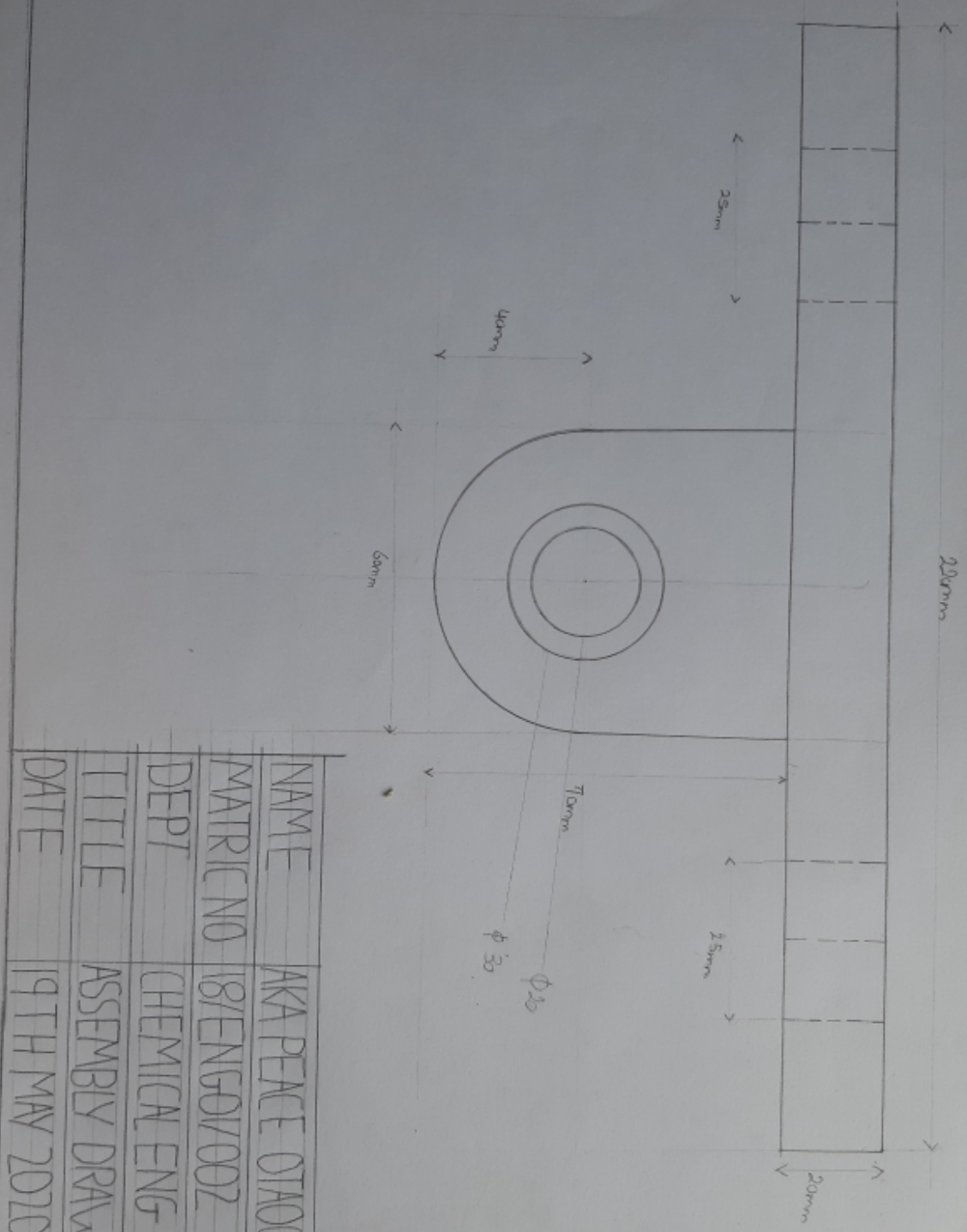
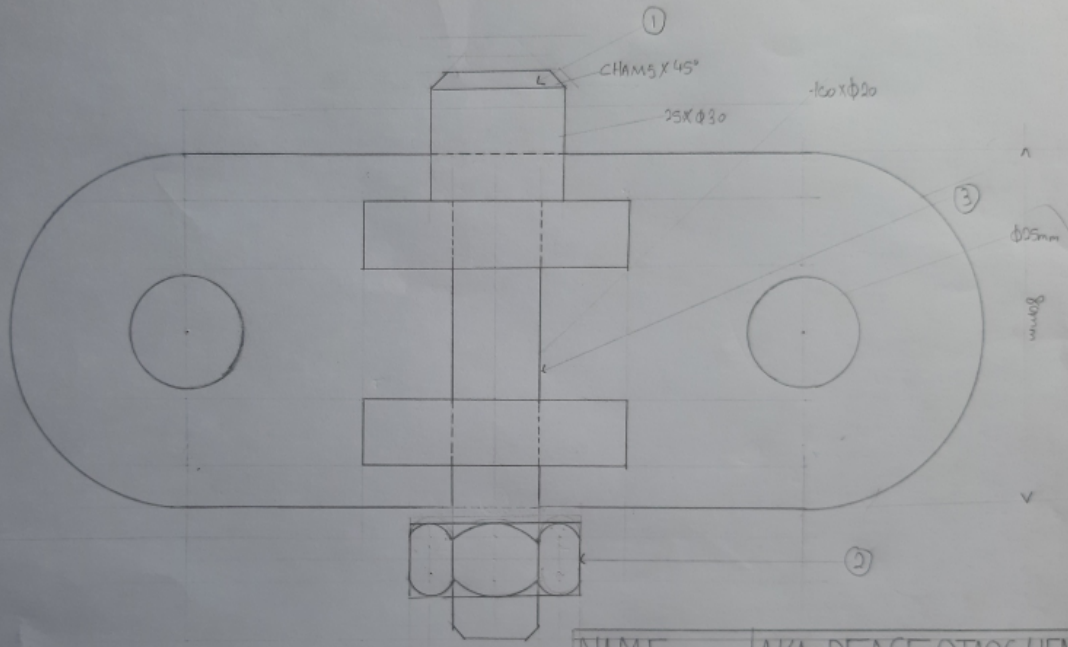


NAME	AKA PEACE OIADGHENE
MATRIC NO	18/ENG01/002
DEPT	CHEMICAL ENG

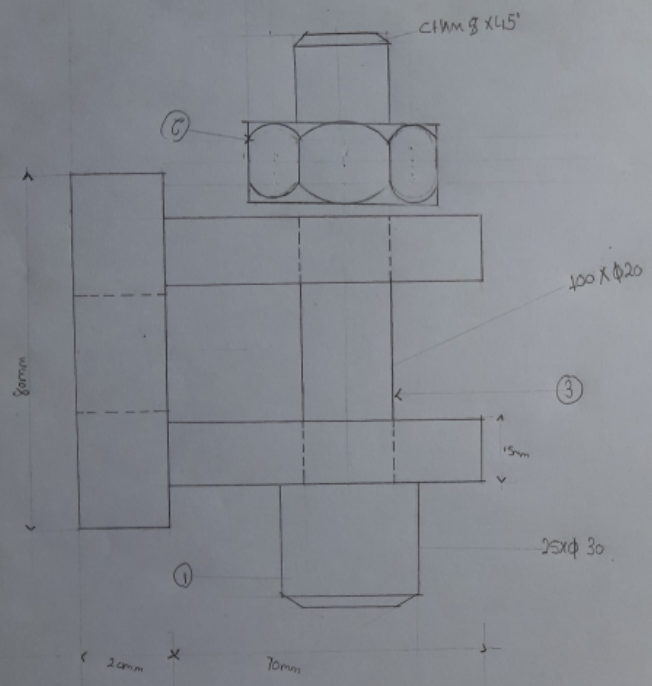


NAME	AKA PEACE DIAOGHENE
MATRIC NO	18/ENGG01/002
DEPT	CHEMICAL ENG
TITLE	ASSEMBLY DRAWING
DATE	19TH MAY 2020



NAME	AKA PEACE OTAOGHENE
MATRIC NO	18/ENGOI/002
DEPT	CHEMICAL ENG



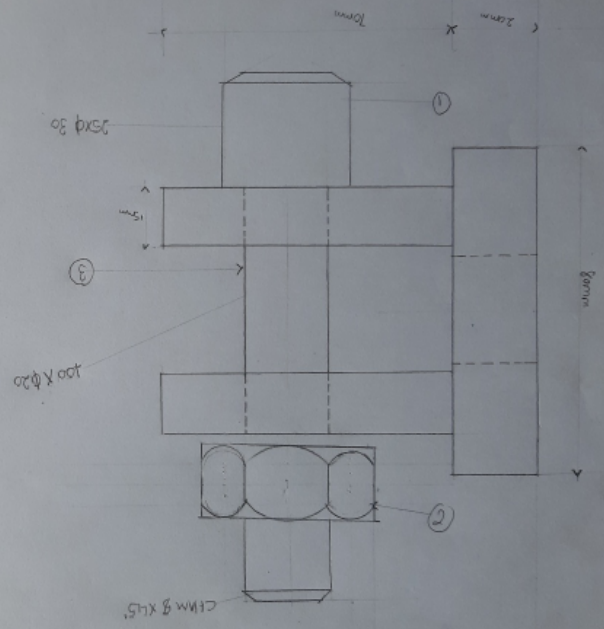


### PART LIST

S/N	Name	Quantity	Dimension
1	Spindle	1	5 x 45°
2	Nut	1	100 x 20
3	towing bracket	1	140 x 80

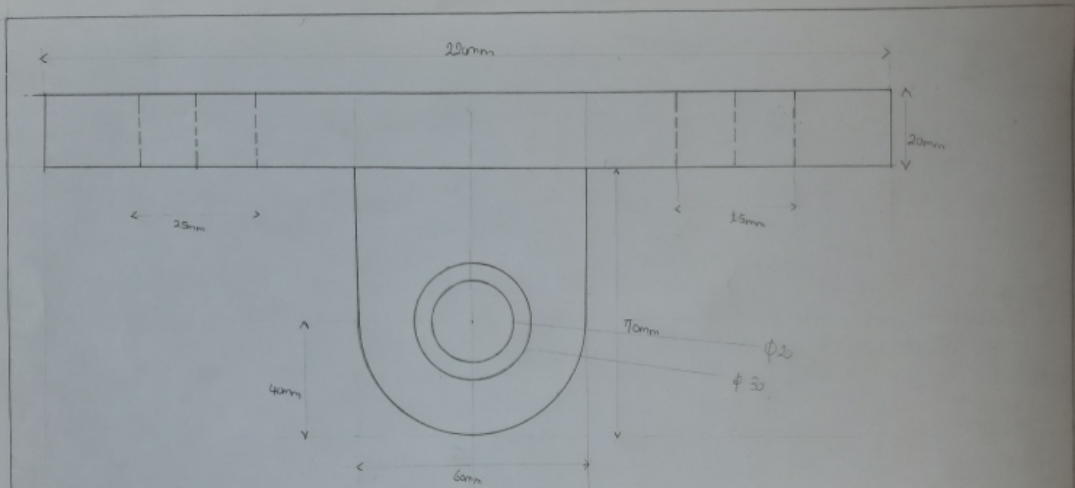
NAME	AKA PEACE OIAOGHENE
MATRIC NO	18/ENGO1002
DEPT	CHEMICAL ENG
TITLE	ASSEMBLY DRAWING
DATE	19TH MAY 2020

NAME	AKA PEACE OJAGHENE
MATRIC NO	18/ENGG01002
DEPT	CHEMICAL ENG
TITLE	ASSEMBLY DRAWING
DATE	19TH MAY 2020



S/N	Name	Quantity	Dimension
1	Spindle	1	5 X 45
2	Nut	1	100 X 45
3	Towing bracket	1	140 X 80

PART LIST



NAME	AKA PEACE OTOAGHENE
MATRIC NO	18/ENGO1002
DEPT	CHEMICAL ENG
TITLE	ASSEMBLY DRAWING
DATE	19TH MAY 2020