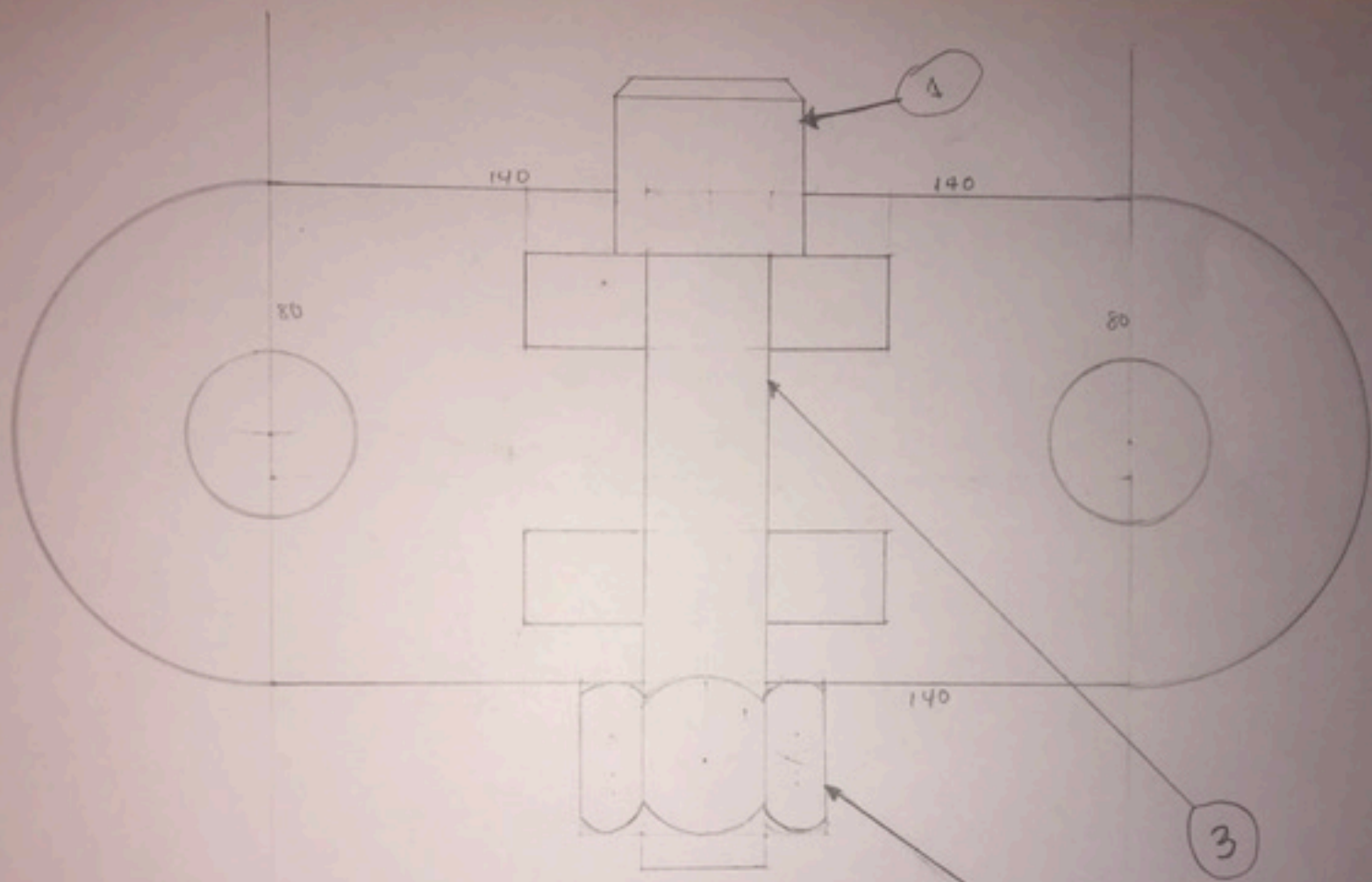


Nwala Ugochukwu Chimzindu

18/EN6061045

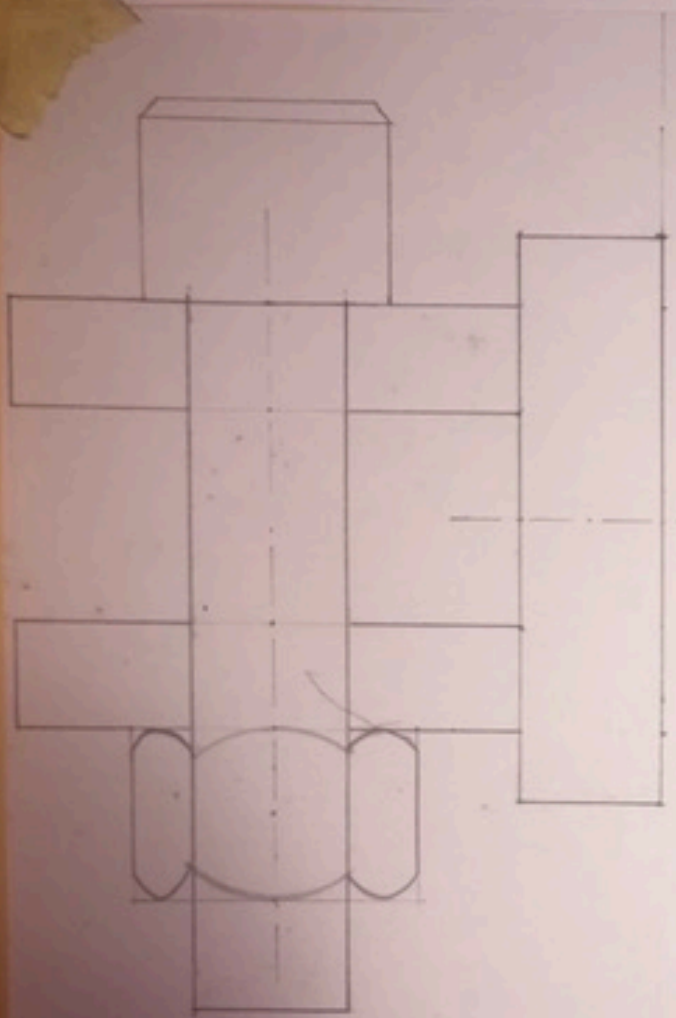
Mechanical Engineering



Nwala Ugochutwu Chimzindu

181ENG061045

Mechanical Engineering



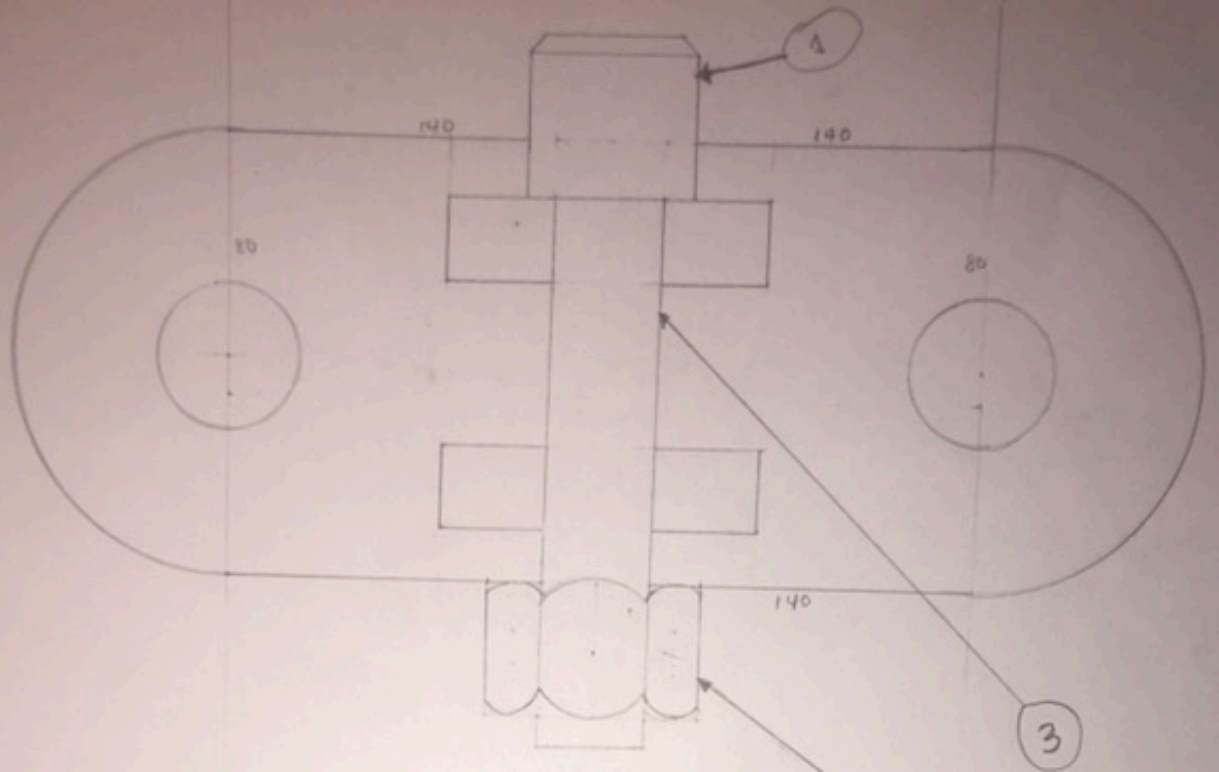
Part List

S/n	Name	Quantity	Dimension
1	Spindle	1	5 x 45°
2	Nut	1	100 x D25°
3	Towel bracket	1	140 x 80 D40° both ends

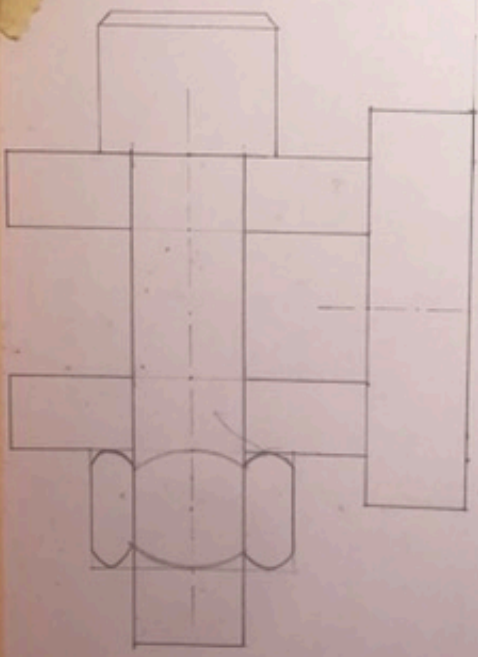
Nwala Ugochukwu Chimzindu

18/ENG06/045

Mechanical Engineering



Nwala Ugochukwu Chimzindu
 18/EN06/045
 Mechanical Engineering



Part List

S/n	Name	Quantity	Dimension
1	Spindle	1	5 x 45°
2	Nut	1	100 x D25°
3	Towel bracket	1	140 x 80 D40° both ends

Nwala Ugochukwu Chimzindu
 18/EN06/045
 Mechanical Engineering