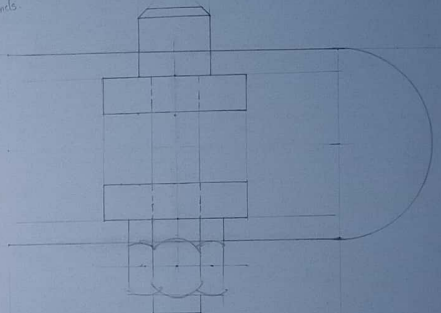


Part List

S/N	Name	Quantity	Dimension
1	Spindle	1	5 x 45
2	Nut	1	100 x Ø25
3	Tapping Drill	1	140 x Ø30 Ø140 both ends.

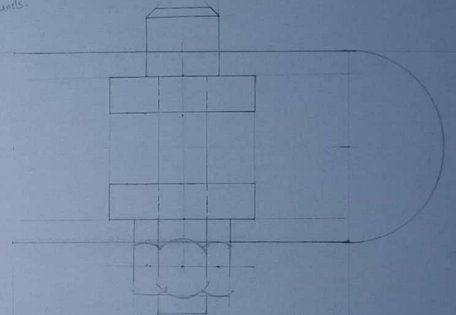
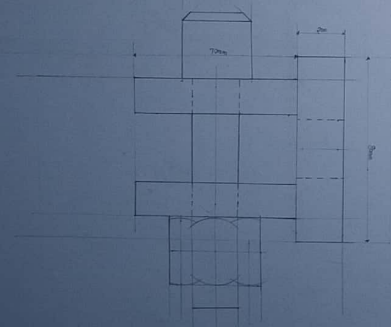
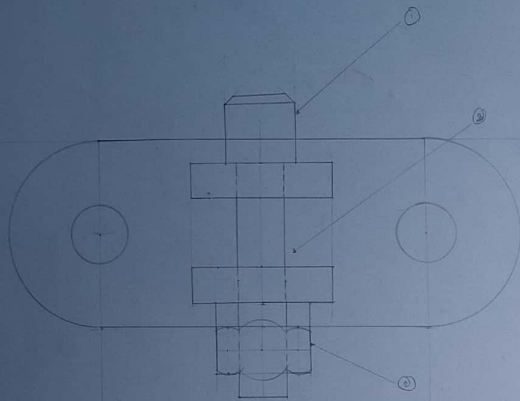


Signature

NAME	OYEBOADE KIITAN
MATRIC NO	17/ENG081004
DEPT	BIOMEDICAL ENG
TITLE	ASSEMBLY DRAWING
DATE	20TH MAY 2020

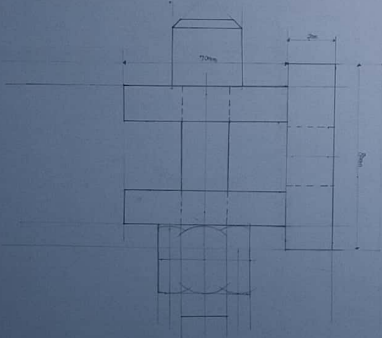
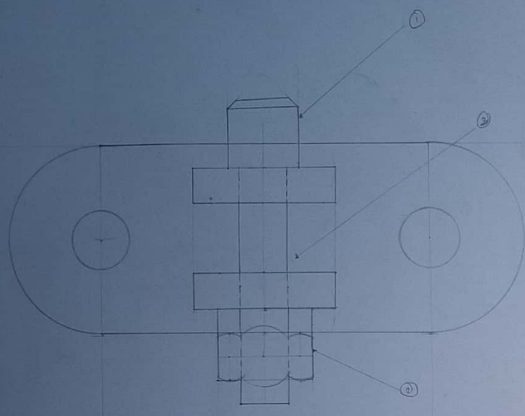
Part List

S/N	Name	Quantity	Dimension
1	Spindle	1	5 x 40
2	Mitt	1	100 x 100
3	Tongue Driver	1	140 x 20 Ø 40 both ends



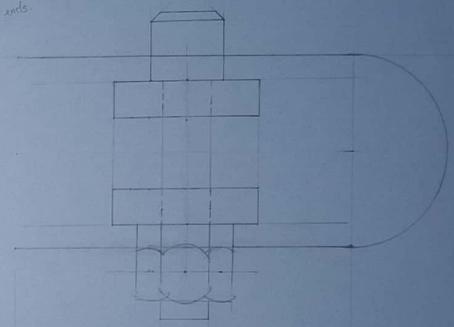
[Handwritten signature]

NAME	OYEBOADE KITTAN
MATRIC NO	17/ENG081004
DEPT	BIOMEDICAL ENG
TITLE	ASSEMBLY DRAWING
DATE	20TH MAY 2020



Part List

S/N	Name	Quantity	Dimension
1	Spindle	1	5 x 45
2	Nut	1	100 x ϕ 25
3	Toping Bearing	1	140 x ϕ 50 ϕ 40 60mm x 15mm



[Handwritten signature]

NAME	OYEBOADE KITTAN
MATHC NO	17/ENG08/004
DEPT	BIOMEDICAL ENG
TITLE	ASSEMBLY DRAWING
DATE	20TH MAY 2020